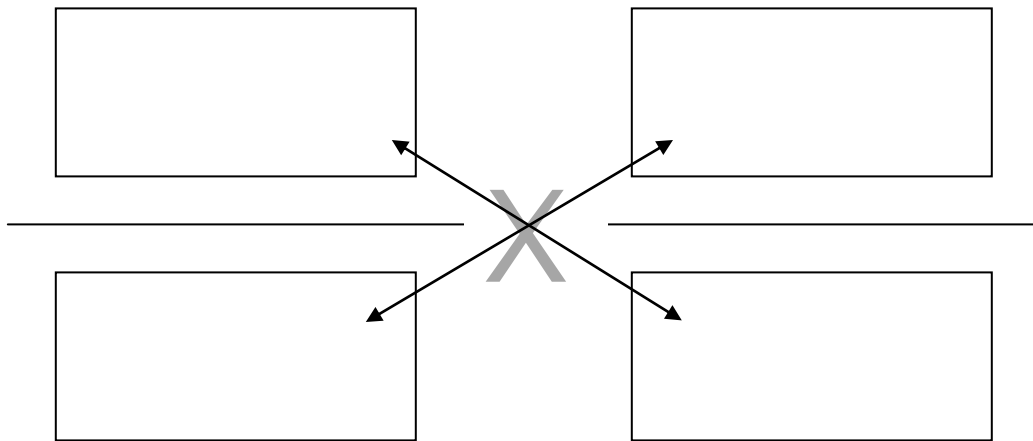
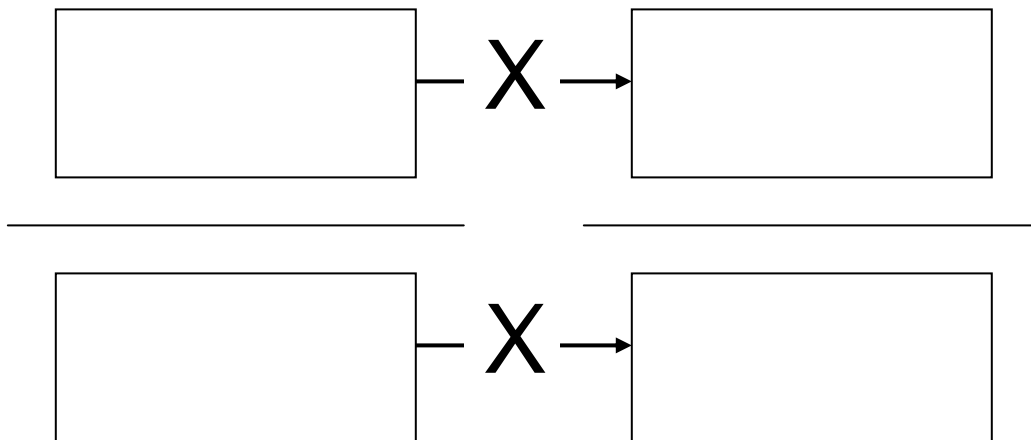


Multiplying Fractions

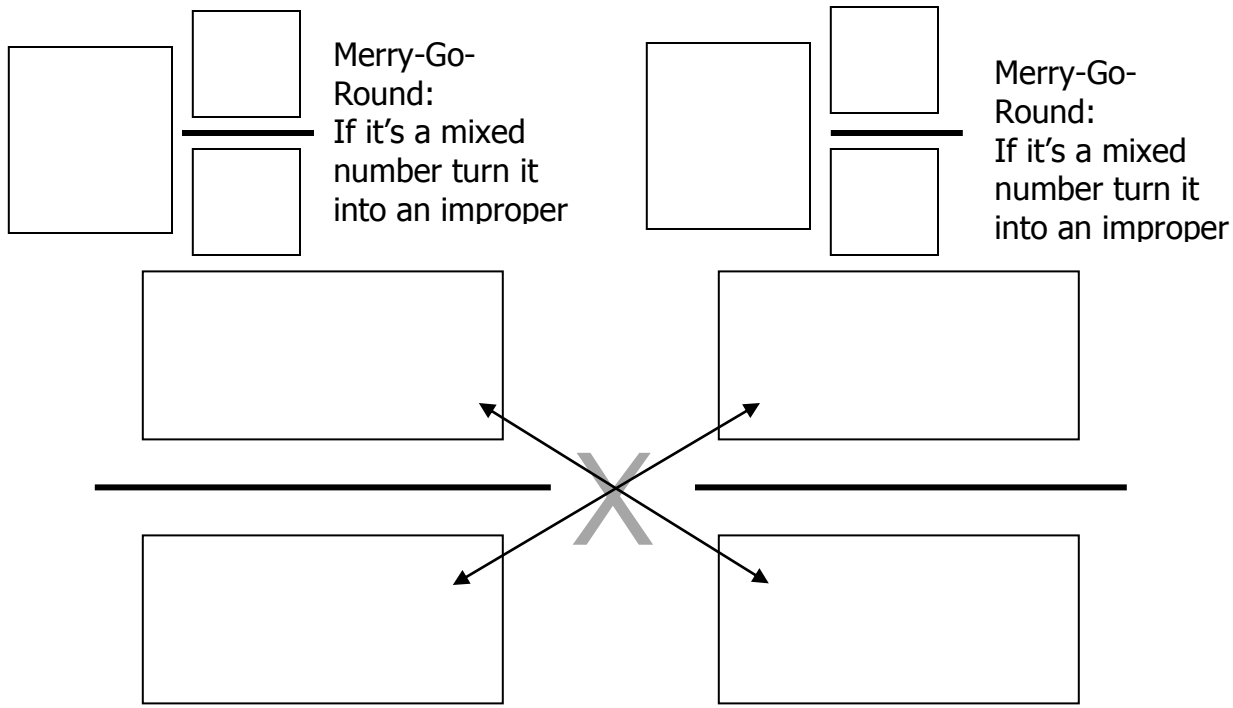


Simplify on the diagonal...**Chicken Scratch**,
Reduce, Make **smaller!!!!**

Multiply **STRAIGHT ACROSS!!!**
Fly by and Multiply

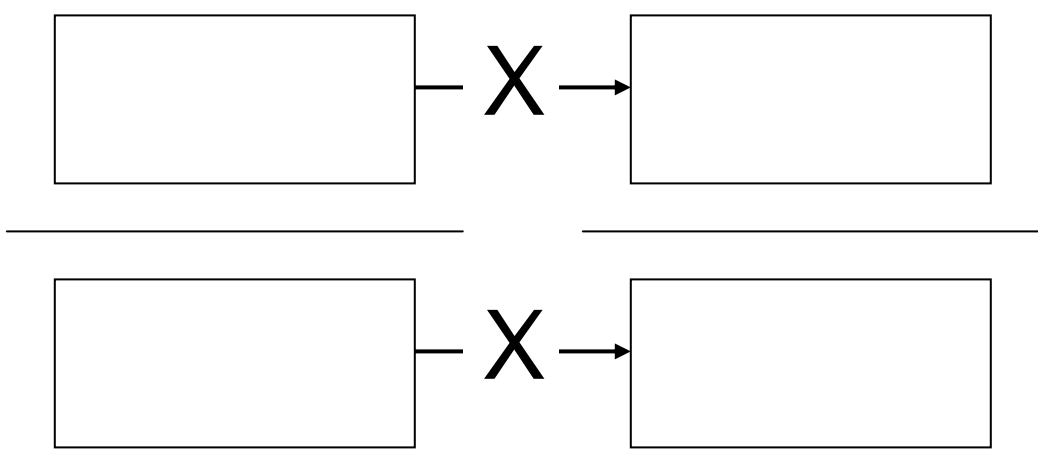


**Is the solution a proper fraction? If not,
ROLL RIGHT and divide.**



Simplify on the diagonal...**Chicken Scratch**,
Reduce, Make **smaller!!!!**

Multiply **STRAIGHT ACROSS!!!**
Fly by and Multiply



Is the solution a proper fraction?
If not, ROLL RIGHT and divide.